

## FLOWKONTAKT MED PADDEL

Model UR1

UR1-010GM

Flowkontakt 2,5-3,5 l/min, G3/8, MS



- Til væsker op til 25 bar
- Flow 2,5-53 liter/min. vand
- Forniklet messing
- Lavt tryktab
- Tåler smudsholdige medier

### PRODUKTBESKRIVELSE

Model UR1 er en mekanisk flowswitch med separat elektronik, med en reedkontakt som åbner eller lukker. Fås i forniklet messing.

Optioner:

- Rustfrit stål
- Ex/ATEX

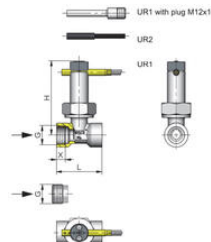
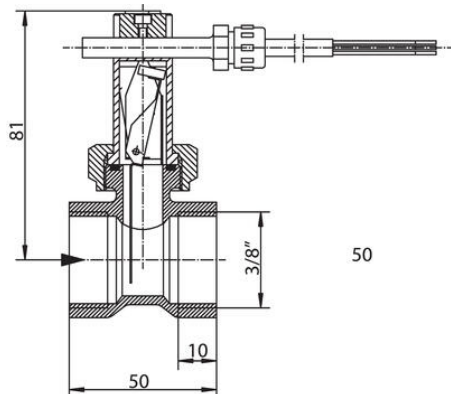
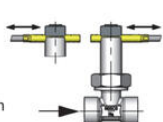
### SPECIFIKATIONER

|                                   |   |
|-----------------------------------|---|
| <b>Elektrisk tilslutning</b>      | 1,5 m kabel                                       |
| <b>Funktion</b>                   | Peddel, reedkontakt                               |
| <b>IP-klasse</b>                  | IP65  |
| <b>Kontaktbelastning max</b>      | 50 A  |
| <b>Materiale bryder krop</b>      | Hårdferrit  |
| <b>Materiale hus</b>              | Forniklet messing, Rustfrit stål 303              |
| <b>Materiale medieberørte del</b> | Forniklet messing, Rustfrit stål, Hårdferrit, NBR |
| <b>Materiale paddle</b>           | Rustfrit stål 301                                 |
| <b>Materiale tætninger</b>        | NBR   |
| <b>Materiale tilslutning</b>      | Forniklet messing                                 |
| <b>Max flow</b>                   | 10 l/min  |
| <b>Medietemperatur fra</b>        | 20 °C   |
| <b>Medietemperatur til</b>        | 110 °C  |
| <b>Nøjagtighed</b>                | ± 15%   |

|                    |                           |
|--------------------|---------------------------|
| Spænding AC max    | 230 V                     |
| Tilslutning        | G3/8 F                    |
| Trykomsråde max    | 25 bar                    |
| Tryktab            | Ca. 0,01 bar ved max flow |
| Type flowkomponent | Flowkontakter             |
| Vægt               | 0,35 kg                   |
| Viskositet         | 1 cSt                     |

### Adjustment

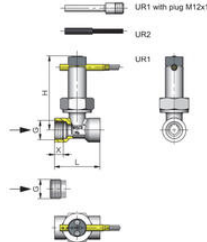
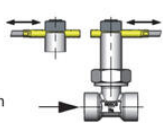
UR1 - loosen bolts, push the switching current tube into the desired position. Retighten the bolts. Normally closed (n.c.) or normally open (n.o.) as per table "Technical data"



| Dimensions and weights |          |     |    |    |           |      |      |
|------------------------|----------|-----|----|----|-----------|------|------|
| G                      | Types    | H   | L  | X  | Weight kg |      |      |
| G 1/4                  | UR-010GM | 82  | 50 | 10 | UR1       | UR2  |      |
|                        | UR-010GK |     |    |    | 0.35      | 0.35 |      |
|                        | UR-010AK |     |    |    | 0.40      | 0.40 |      |
| G 1/2 A                | UR-015AM | 60  | 12 | 12 | UR-015AM  | 0.35 | 0.30 |
|                        | UR-015AP |     |    |    | 0.15      | 0.15 |      |
|                        | UR-015GM |     |    |    | 0.35      | 0.30 |      |
| G 3/4                  | UR-015GK | 50  | 10 | 10 | UR-015GK  | 0.40 | 0.40 |
|                        | UR-020GM |     |    |    | 0.35      | 0.35 |      |
|                        | UR-020GK |     |    |    | 0.40      | 0.40 |      |
| G 1                    | UR-025GM | 87  |    |    | UR-025GM  | 0.40 | 0.40 |
|                        | UR-025GK |     |    |    | 0.45      | 0.45 |      |
|                        | UR-032GM |     |    |    | 0.40      | 0.40 |      |
| G 1 1/2                | UR-032GK | 91  |    |    | UR-032GK  | 0.50 | 0.50 |
|                        | UR-040GM |     |    |    | 0.55      | 0.50 |      |
| G 1 1/2                | UR-040GK | 94  |    |    | UR-040GK  | 0.65 | 0.65 |
|                        | UR-050GM |     |    |    | 0.80      | 0.75 |      |
| G 2                    | UR-050GK | 103 |    |    | UR-050GK  | 0.95 | 0.95 |

### Adjustment

UR1 - loosen bolts, push the switching current tube into the desired position. Retighten the bolts. Normally closed (n.c.) or normally open (n.o.) as per table "Technical data"



| Dimensions and weights |          |     |    |    |           |      |      |
|------------------------|----------|-----|----|----|-----------|------|------|
| G                      | Types    | H   | L  | X  | Weight kg |      |      |
| G 1/4                  | UR-010GM | 82  | 50 | 10 | UR1       | UR2  |      |
|                        | UR-010GK |     |    |    | 0.35      | 0.35 |      |
|                        | UR-010AK |     |    |    | 0.40      | 0.40 |      |
| G 1/2 A                | UR-015AM | 60  | 12 | 12 | UR-015AM  | 0.35 | 0.30 |
|                        | UR-015AP |     |    |    | 0.15      | 0.15 |      |
|                        | UR-015GM |     |    |    | 0.35      | 0.30 |      |
| G 3/4                  | UR-015GK | 50  | 10 | 10 | UR-015GK  | 0.40 | 0.40 |
|                        | UR-020GM |     |    |    | 0.35      | 0.35 |      |
|                        | UR-020GK |     |    |    | 0.40      | 0.40 |      |
| G 1                    | UR-025GM | 87  |    |    | UR-025GM  | 0.40 | 0.40 |
|                        | UR-025GK |     |    |    | 0.45      | 0.45 |      |
|                        | UR-032GM |     |    |    | 0.40      | 0.40 |      |
| G 1 1/2                | UR-032GK | 91  |    |    | UR-032GK  | 0.50 | 0.50 |
|                        | UR-040GM |     |    |    | 0.55      | 0.50 |      |
| G 1 1/2                | UR-040GK | 94  |    |    | UR-040GK  | 0.65 | 0.65 |
|                        | UR-050GM |     |    |    | 0.80      | 0.75 |      |
| G 2                    | UR-050GK | 103 |    |    | UR-050GK  | 0.95 | 0.95 |