

## SS25

### Rustfri kugleventil

SS25-1/2

Rustfri kugleventil 1/2" BSPP 1.4408



- 2/2-vejs fuldboret med indvendigt BSPP gevind
- -
- Testet iht. API 598
- ISO 5211 topflange
- Spindel sikret mod "blow-out"



## PRODUKTBESKRIVELSE

2-delt rustfri kugleventil anvendes til afspærring af vand, andre væsker, gasser og damp.

ISO 5211 topflange til hurtig og direkte montage af aktuator eller håndtag.

Ventilhus og endekappe er støbt i rustfrit stål, og 3.1 certifikat kan leveres på forlangende.

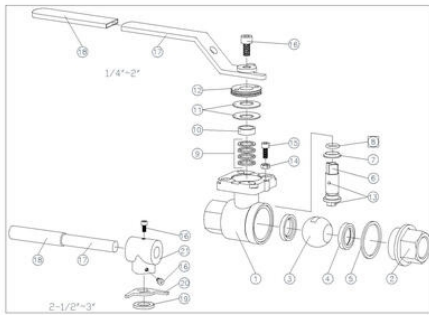
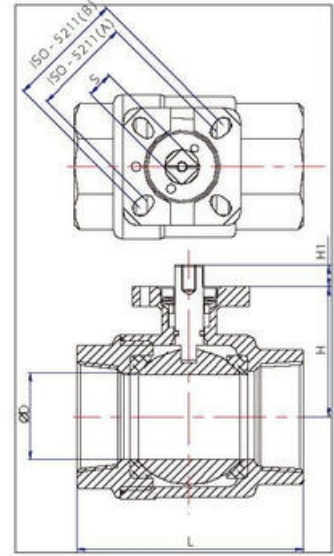
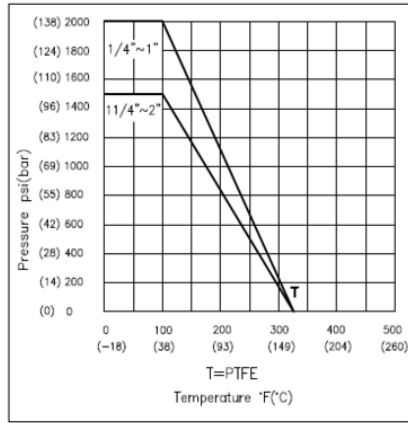
Ventilkrop : ASTM A351 CF8M

Pakningsmateriale : PTFE

Godkendt iht. PED 97/23/EC

## SPECIFIKATIONER

ISO	ISO 5211
Kugle	ASTM A351 CF8M
Materiale O-ring	Viton
Materiale spindel	Rustfrit stål 316
Max moment	7
Topflange	F03/F04
Vægt	0,48 kg
Ventilhus	ASTM A351 CF8M

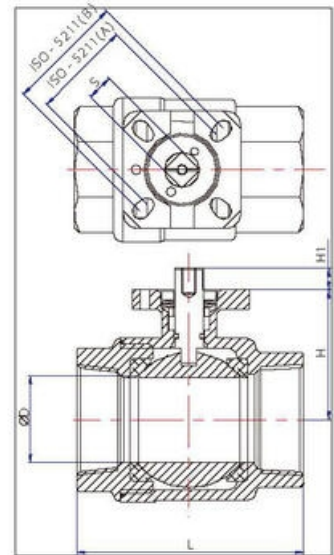
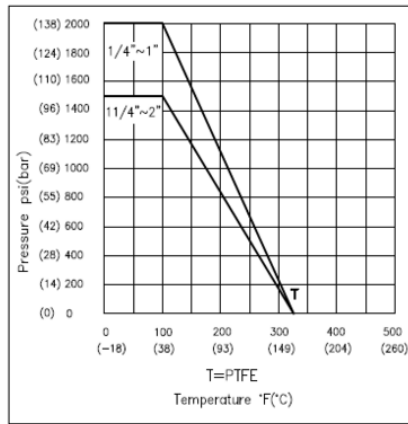
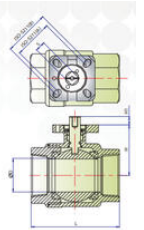


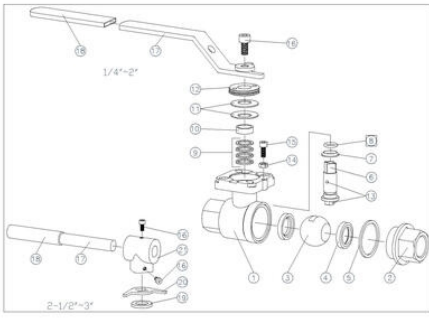
NO	PART NAME	MATERIAL
1	BODY	ASTM A351 CF8M
2	END CAP	ASTM A351 CF8M
3	SOLID BALL	ASTM A351 CF8M
4	BALL SEAT	PTFE
5	BODY SEAL	PTFE
6	STEM	SS316
7	THRUST WASHER	PTFE
8	O-RING	VITON
9	STEM PACKING	PTFE
10	FOLLOWER	SS304
11	BELLEVILLE SPRING	SS304

NO	PART NAME	MATERIAL
12	NUT	SS304
13	ANTISTATIC DEVICE	SS316
14	STOP NUT	SS304
15	STOP BOLT	SS304
16	HANDLE BOLT	SS304
17	HANDLE	SS304
18	HANDLE SLEEVE	VINYL
19	HANDLE SPACER	PTFE
20	TRIANGLE STOPPER	SS304
21	LOCKING DEVICE	SS304

Dimensions inch/mm

SIZE	D	L	H	S	Cv	Weight #(kg)	TG in/ku/ NMI	ISO 5211
1/4"	0.45	2.56	0.3	1.7	0.35	0	0.4	45/5
3/8"	0.5	2.56	0.3	1.7	0.35	0	0.4	45/5
1/2"	0.54	2.56	0.3	1.7	0.35	0	0.4	45/5
3/4"	0.58	2.56	0.3	1.7	0.35	0	0.4	45/5
1"	0.78	3.15	0.31	1.77	0.35	50	0.56	80/9
1 1/4"	1.25	4.3	0.43	2.24	0.43	110	0.75	130/15
1 1/2"	1.5	4.72	0.5	2.50	0.55	250	2.32	200/23
2"	2	5.5	0.5	3	0.55	450	4	160/18
2 1/2"	2.5	6.2	0.52	3.4	0.57	750	8	100/57
3"	3	6.5	0.5	3.4	0.57	1300	11.5	650/73
3 1/2"	3.15	6.7	0.57	3.4	0.57	1300	11.5	650/73
4"	4	7.5	0.57	3.4	0.57	1300	11.5	650/73





NO	PART NAME	MATERIAL
1	BODY	ASTM A351 CF8M
2	END CAP	ASTM A351 CF8M
3	SOLID BALL	ASTM A351 CF8M
4	BALL SEAT	PIPE
5	BODY SEAL	PIPE
6	STEM	SS316
7	THRUST WASHER	PIPE
8	O-RING	VTION
9	STEM PACKING	PIPE
10	FOLLOWER	SS304
11	BELLEVILLE SPRING	SS304

NO	PART NAME	MATERIAL
12	NUT	SS304
13	ANTI-STATIC DEVICE	SS316
14	STOP NUT	SS304
15	STOP BODY	SS304
16	HANDLE ROSET	SS304
17	HANDLE	SS304
18	HANDLE SLEEVE	VINYL
19	HANDLE SPACER	PIPE
20	TRIANGLE STOPPER	SS304
21	LOCKING DEVICE	SS304

Dimensions inch/mm

SIZE	D	L	H1	H	S	Cv	Weight (kg)	TC (in/lb)	ISO 5211
1/4	0.81	2.56	0.3	1.7	0.25	8	0.4	45/5	P03/P04
3/8	1.13	3.65	0.5	2.5	0.4	11	0.6	45/5	P03/P04
1/2	1.57	5.05	0.7	3.5	0.6	15	0.9	60/7	P03/P04
3/4	2.00	6.70	1.0	4.5	0.8	20	1.2	60/7	P03/P04
1	2.54	8.13	1.3	5.5	1.1	25	1.6	130/15	P04/P05
1 1/4	3.18	10.17	1.7	7.0	1.4	35	2.2	130/15	P04/P05
1 1/2	3.81	12.20	2.0	8.5	1.7	45	3.0	160/18	P04/P05
2	5.08	15.24	2.7	11.0	2.3	60	4.0	200/23	P05/P07
2 1/2	6.35	19.05	3.5	14.0	3.0	80	5.5	280/32	P05/P07
3	7.62	22.86	4.3	17.0	3.8	100	7.5	300/35	P07/P10
3 1/2	9.14	27.69	5.3	21.0	4.6	125	10.0	350/40	P07/P10
4	10.16	30.48	6.0	24.0	5.1	150	12.5	450/50	P07/P10

