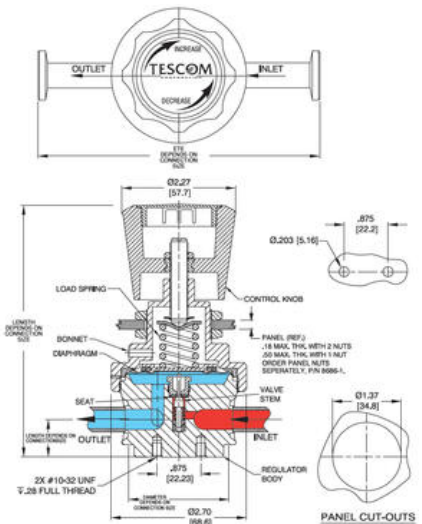


Example for selecting a part number:

PH-26	A	1	8	8	2	0	B			
BASIC SERIES	BODY MATERIAL	SEAT MATERIAL	VALVE SPRING	LOAD TYPE	OUTLET PRESSURE	INLET AND OUTLET PORT TYPE	INLET AND OUTLET PORT SIZE WALL THICKNESS	FLOW CAPACITY	GAUGE PORT OPTIONS	CERTIFICATE OF CONFORMANCE
PH-26	A - 316L Stainless Steel	15 T <sub>2</sub> PTFE	316 Stainless Steel	8 - Spring	0.10 psig	8 - Sankley	6 - 3/8" (Tube Out)	B - C <sub>v</sub> = 0.82	0 - No gauge	A - None
					0.65 bar	9 - Tube	9 - 1/2" (Tube Out)	1 - C <sub>v</sub> = 0.88	1 - 1/2" NPT	B - Class Service Certification
					0.25 psig		8 - 27/32" OD	2 - C <sub>v</sub> = 0.15	2 - One 1/4" NPT, surface ground per ANSI	
					0.17 bar		8 - 11/8" x 0.035" wall	4 - C <sub>v</sub> = 0.24		
					0.50 psig		8 - 11/8" x 0.040" OD			
					0.34 bar					
					0.100 psig					
					0.6.9 bar					
					0.50 psig					
					0.34 bar					
					0.100 psig					
					0.6.9 bar					
					0.100 psig					
					0.6.9 bar					
					0.100 psig					
					0.6.9 bar					



All dimensions are reference & nominal.  
Metric (square) equivalents are in brackets.