

DIAPHRAGM MÅLEVENTIL

DMV-SERIEN
Diaphragm Metering Valve

- Norminal tryk: 20 bar
- Flowrange: 0-20 l/min
- CV: 0.024
- Leak: <10-9 mbar l/s
- Temperaturråde: -20 til 70°C



PRODUKTBESKRIVELSE

Tescom Diaphragm Måleventil

Giver en præcis flowkontrol af højrenheds-gasser i point-of-use-samlinger eller i kombination med trykregulatorer.

Applikationer

- Kontrol af flowet af procesmedier med høj præcision
- Laboratorie-, R&D- og analyseapplikationer
- Egnet til ECD (Electronic Capture Detector) applikationer

Fordele

- Præcis kontrol af flow
- Næsten lineær flowkarakteristik
- Metal-til-metal-tætninger
- Til gasrenhed op til 6.0 (99.9999% renhed)
- Egnet til korrosive gasser
- Renset til oxygen service

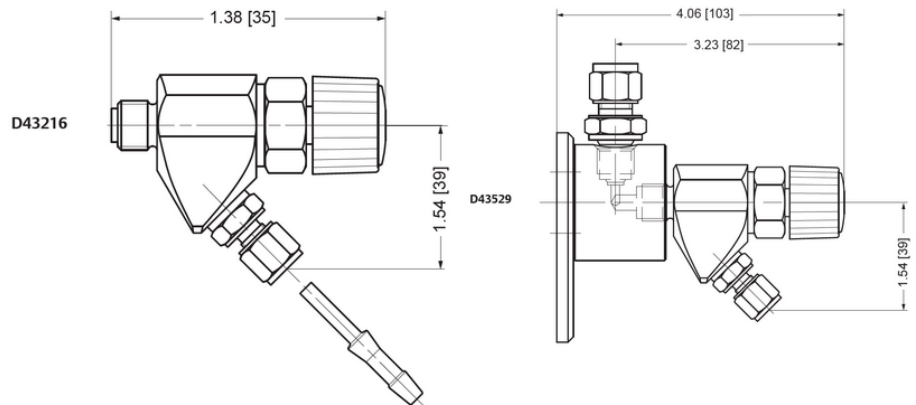
Example for selecting a part number:

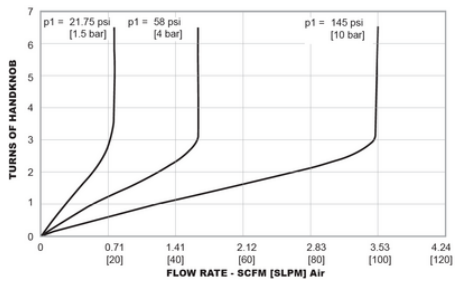
D43215	AR	05
BASIC SERIES	GAS	OUTLET CONNECTION
D43215 - Brass D43216 - Stainless Steel Inlet Connections - C, 1/8" male Standard color of handle and cap: Grey Please reference distributor's "Price" list for accessories Gas specific label acc. EN 13762 available on request	AR (BRASS) - Oxygen, all other non-corrosive gases Attention: For CO or test gases including CO, please use Stainless Steel version AR (Stainless Steel) - Corrosive Gases	00 - Without (G 1/8" female) 05 - Compression fitting 6 mm with inside 6 mm 06 - Compression fitting 6 mm with outside 6 mm
		*Not available for D43216 Stainless Steel

Diaphragm Metering Valve with Wall Mounting Plate - Part Number Selector

Example for selecting a part number:

D43528	AR	02	E
BASIC SERIES	GAS	OUTLET CONNECTION	INLET CONNECTION
D43528 - Brass D43529 - Stainless Steel	AR (BRASS) - Oxygen, all other non-corrosive gases Attention: For CO or test gases including CO, please use Stainless Steel version AR (Stainless Steel) - Corrosive Gases	00 - Without (G 1/8" female) 02 - Compression fitting tube G 1/8" 04 - Compression fitting tube G 1/4" 05 - Compression fitting 6 mm with inside 6 mm	E - Without (G 1/8" female) F - Compression fitting 6 mm G - Compression fitting 6 mm
		*Not available for D43529 Stainless Steel	*Not available for D43528 Brass





Example for selecting a part number:

D43215		AR	05
BASIC SERIES	GAS		OUTLET CONNECTION
D43215 - Brass D43216 - Stainless Steel Inlet Connection - C, 1/4" male Standard color of handknob and cap: Gray Please reference distributor's Point of Sale Requirements Gas specific label req. EA 13782 available on request	AR (BRASS) - Oxygen, all other non-corrosive gases Attention: For CO or test gases including CO, please use Stainless Steel version and Cap: Gray AK (Stainless Steel) - Corrosive Gases		05 - Without GC, 1/8" female 05 - Compression fitting ø 6 mm with inside 6 mm 05 - Compression fitting tube C, 1/4" with nipple*
			*Not available for D43215 Stainless Steel

Diaphragm Metering Valve with Wall Mounting Plate - Part Number Selector

Example for selecting a part number:

D43528		AR	02	E
BASIC SERIES	GAS		OUTLET CONNECTION	INLET CONNECTION
D43528 - Brass D43529 - Stainless Steel	AR (BRASS) - Oxygen, all other non-corrosive gases Attention: For CO or test gases including CO, please use Stainless Steel version AK (Stainless Steel) - Corrosive Gases		02 - Without GC, 1/8" female 02 - Compression fitting tube C, 1/8" C 02 - Compression fitting tube C, 1/4" C 02 - Compression fitting ø 6 mm with nipple 6 mm	E - Without GC, 1/8" female E - Compression fitting ø 6 mm** E - Compression fitting ø 8 mm** E - Compression fitting ø 18 mm**
			*Not available for D43529 Stainless Steel	**Not available for D43528 Brass

