

VM SERIEN

VM-SERIEN
VM-Serien

- Max tryk: 414 bar
- Leak: Internal: Bubble-tight, External: Bubble-tight
- CV: 4.5
- Aktuator trykomsråde: 5.5 - 8.6 bar
- Temperaturområde: -40 til 121°C



PRODUKTBESKRIVELSE

Tescom VM Serien

Er en luftbetjent højtryksventil med højt flow.

Applikationer

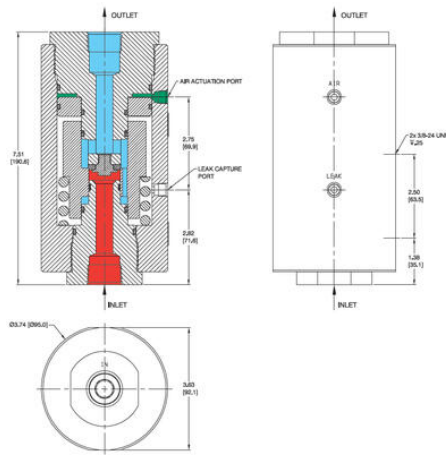
- Højtryksgas og væske
- Høj flow-fyldningsapplikationer
- Testning af højtryks- og højflowkomponenter

Fordele

- Normalt lukket ventil
- Balanceret ventil
- Indbygget flowbane for at minimere trykfaldet over ventilen
- Høje driftstryk på 6000 psig / 414 bar

Example for selecting a part number:

VM	6	VV	2	12	2	12	2			
BASE	BODY AND SEALS	SEAL MATERIAL	O-RING MATERIAL	MAXIMUM OPERATING PRESSURE	OPERATING TEMPERATURES	INLET PORT SIZE	INLET PORT SIZE	OUTLET PORT SIZE	OUTLET PORT SIZE	AS-BUILT LEAK TIGHT SPECIFICATION
VM	6	110 Stainless Steel	Pakkeinde (Ingersoll) VM - Nitrid, Buna-N	6000 psig / 414 bar	-40 to 121°C / -40 to 249°F	1" - 1/2"	1" - 1/2"	12" - 1/2"	2" - 1/2" NPT	
			VM - 110M		170 to 200°C / 336 to 392°F	16" - 1"	2" - 1/2"	2" - 1/2"	2" - 1/2"	
			VM - 110B		150 to 200°C / 302 to 392°F	16" - 1"	2" - 1/2"	2" - 1/2"	2" - 1/2"	
			VM - 110C		400 to 200°C / 752 to 392°F	16" - 1"	2" - 1/2"	2" - 1/2"	2" - 1/2"	
			VM - 110D		200 to 100°C / 392 to 209°F	16" - 1"	2" - 1/2"	2" - 1/2"	2" - 1/2"	
			VM - 110E							
			VM - 110F							
			VM - 110G							
			VM - 110H							



Example for selecting a port number:

VM	6	VV	2	12	2	12	2			
SERIES	BODY AND SEAT MATERIAL	SEAT MATERIAL	O-RING MATERIAL	MAXIMUM OPERATING PRESSURE	OPERATING TEMPERATURES	INLET PORT TYPE	INLET PORT SIZE	OUTLET PORT SIZE	OUTLET PORT SIZE	AIR AND LEAK PORT SIZE/TYP.
VM	6 - 115 Stainless Steel	Polyamide (Ingot®)	VM - NBR/6, Buna-N	1000 (psig) / 68.9 bar	40°F to 165°F / 4°C to 74°C 115°F to 205°F / 46°C to 125°C 157°F to 220°F / 69°C to 121°C 40°F to 205°F / 4°C to 125°C 20°F to 165°F / -6°C to 74°C	1 - NPT 2 - NPT	1/2" - 1/2" 3/8" - 1"	1/2" - 1/2" 3/8" - 1"	1/2" - 1/2" 3/8" - 1"	2 - 1/8" NPT

