

TESCOM™

VT SERIEN

VT-SERIEN

VT-Serien

- Tryk: 241, 414, 690 bar
- Leak: Bubble tight
- CV: 0.75
- Aktuator trykområde: 5.5 - 7.6 bar
- Vægt: 2.3 kg



PRODUKTBESKRIVELSE

Tescom VT Serien

3-vejs luftbetjent ventil med lang levetid i kompakt design.

Applikationer

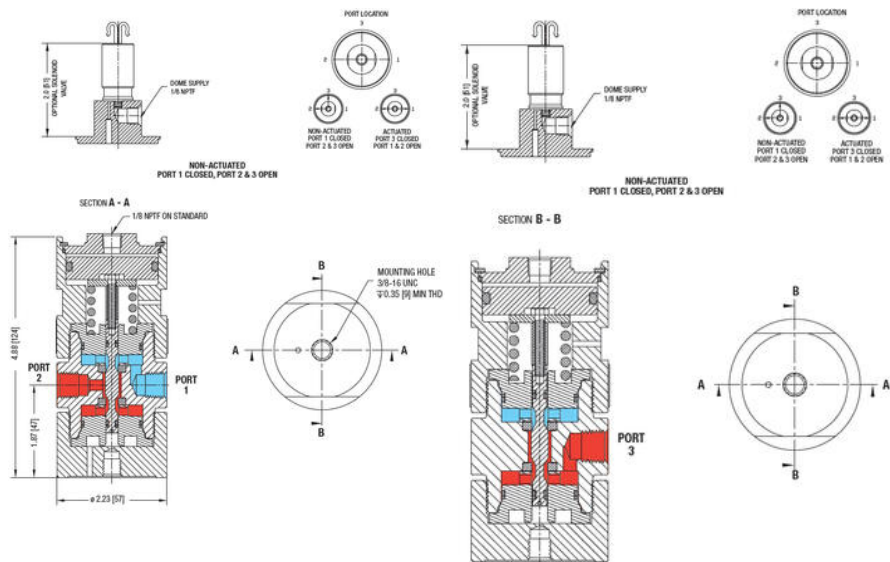
- Test af trykcyklus på komponenter
- To-kilde-vælgerventil
- Fyldnings- og tømningsapplikationer (f.eks. fyldning af airbag-beholder, fyldning af gasfjedre)
- Nødstop
- Pneumatiske og hydrauliske applikationer

Fordele

- 1/4" og 3/8" porte
- Cv = 0.75
- Balanceret hoved ventil
- Magnetventilen er valgfri
- 2 positioner, 3-vejs
- Tæthed mod lækage - Klasse VI lukning (bobletæt)

VT	6	AB		9		A	A	A	
BASIC SERIES	BODY MATERIAL	SEAL MATERIAL	O-RING MATERIAL	MAXIMUM OPERATING PRESSURE	OPERATING TEMPERATURE	OPTIONS	1 PORT LOCATION SIZE AND TYPE	2 PORT LOCATION SIZE AND TYPE	3 PORT LOCATION SIZE AND TYPE
VT	3-Brass 3-316 Stainless Steel	AB - 316 (DeluPr)	Nitril	Brass body 2000 psig 241 bar	487 to 1637 -40 to 74°C	3-None 4-1/4" NPT C-1/4" NPT E-1/4" SAE F-3/8" SAE W - Solenoid valve 24 VDC 12 VDC	A-1/4" NPT	A-1/4" NPT	A-1/4" NPT
		AK - 316 (DeluPr)	Kalut [®]	316 Stainless Steel body 2000 psig 241 bar	487 to 1637 -40 to 74°C		C-1/4" NPT	C-1/4" NPT	C-1/4" NPT
		AL - 316 (DeluPr)	FKM (Viton [®] A)	316 Stainless Steel body 2000 psig 241 bar	487 to 1637 -40 to 121°C		E-1/4" SAE	E-1/4" SAE	E-1/4" SAE
		AM - 316 (DeluPr)	Ethylene Propylene	316 Stainless Steel body 2000 psig 241 bar	487 to 1637 -40 to 121°C		F-3/8" SAE	F-3/8" SAE	F-3/8" SAE
		AN - 316 (DeluPr)	Urethane	316 Stainless Steel body 2000 psig 241 bar	487 to 1637 -40 to 74°C				
		AP - PC70	Nitril	Brass body 2000 psig 241 bar	487 to 1637 -40 to 74°C				
		AQ - PC70	Kalut [®]	316 Stainless Steel body 2000 psig 241 bar	487 to 1637 -40 to 74°C				
		AR - PC70	FKM (Viton [®] A)	316 Stainless Steel body 2000 psig 241 bar	487 to 1637 -40 to 121°C				
		AS - PC70	Ethylene Propylene	316 Stainless Steel body 2000 psig 241 bar	487 to 1637 -40 to 121°C				
		AT - PC70	Urethane	316 Stainless Steel body 2000 psig 241 bar	487 to 1637 -40 to 74°C				
		PA - 303	Nitril	Brass body 1800 psig 414 bar	487 to 1637 -40 to 74°C				
		PK - 303	Kalut [®]	316 Stainless Steel body 1800 psig 414 bar	487 to 1637 -40 to 74°C				
PL - 303	FKM (Viton [®] A)	316 Stainless Steel body 1800 psig 414 bar	487 to 1637 -40 to 121°C						
PM - 303	Ethylene Propylene	316 Stainless Steel body 1800 psig 414 bar	487 to 1637 -40 to 121°C						
PN - 303	Urethane	316 Stainless Steel body 1800 psig 414 bar	487 to 1637 -40 to 74°C						
VP - Polyamide (DeluPr)	Nitril	Brass body 1800 psig 414 bar	487 to 1637 -40 to 74°C						
VK - Polyamide (DeluPr)	Kalut [®]	316 Stainless Steel body 1800 psig 414 bar	487 to 1637 -40 to 74°C						
VL - Polyamide (DeluPr)	FKM (Viton [®] A)	316 Stainless Steel body 1800 psig 414 bar	487 to 1637 -40 to 121°C						
VM - Polyamide (DeluPr)	Ethylene Propylene	316 Stainless Steel body 1800 psig 414 bar	487 to 1637 -40 to 121°C						
VN - Polyamide (DeluPr)	Urethane	316 Stainless Steel body 1800 psig 414 bar	487 to 1637 -40 to 74°C						

* Brass body is limited to $+200^{\circ}\text{F}$ (100°C) maximum.
 **FKM (Viton) maximum (DeluPr)



VT	6	AB		9		A	A	A	
BASIC SERIES	BODY MATERIAL	SEAL MATERIAL	O-RING MATERIAL	MAXIMUM OPERATING PRESSURE	OPERATING TEMPERATURE	OPTIONS	1 PORT LOCATION SIZE AND TYPE	2 PORT LOCATION SIZE AND TYPE	3 PORT LOCATION SIZE AND TYPE
VT	3-Brass 3-316 Stainless Steel	AB - 316 (DeluPr)	Nitril	Brass body 2000 psig 241 bar	487 to 1637 -40 to 74°C	3-None 4-1/4" NPT C-1/4" NPT E-1/4" SAE F-3/8" SAE W - Solenoid valve 24 VDC 12 VDC	A-1/4" NPT	A-1/4" NPT	A-1/4" NPT
		AK - 316 (DeluPr)	Kalut [®]	316 Stainless Steel body 2000 psig 241 bar	487 to 1637 -40 to 74°C		C-1/4" NPT	C-1/4" NPT	C-1/4" NPT
		AL - 316 (DeluPr)	FKM (Viton [®] A)	316 Stainless Steel body 2000 psig 241 bar	487 to 1637 -40 to 121°C		E-1/4" SAE	E-1/4" SAE	E-1/4" SAE
		AM - 316 (DeluPr)	Ethylene Propylene	316 Stainless Steel body 2000 psig 241 bar	487 to 1637 -40 to 121°C		F-3/8" SAE	F-3/8" SAE	F-3/8" SAE
		AN - 316 (DeluPr)	Urethane	316 Stainless Steel body 2000 psig 241 bar	487 to 1637 -40 to 74°C				
		AP - PC70	Nitril	Brass body 2000 psig 241 bar	487 to 1637 -40 to 74°C				
		AQ - PC70	Kalut [®]	316 Stainless Steel body 2000 psig 241 bar	487 to 1637 -40 to 74°C				
		AR - PC70	FKM (Viton [®] A)	316 Stainless Steel body 2000 psig 241 bar	487 to 1637 -40 to 121°C				
		AS - PC70	Ethylene Propylene	316 Stainless Steel body 2000 psig 241 bar	487 to 1637 -40 to 121°C				
		AT - PC70	Urethane	316 Stainless Steel body 2000 psig 241 bar	487 to 1637 -40 to 74°C				
		PA - 303	Nitril	Brass body 1800 psig 414 bar	487 to 1637 -40 to 74°C				
		PK - 303	Kalut [®]	316 Stainless Steel body 1800 psig 414 bar	487 to 1637 -40 to 74°C				
PL - 303	FKM (Viton [®] A)	316 Stainless Steel body 1800 psig 414 bar	487 to 1637 -40 to 121°C						
PM - 303	Ethylene Propylene	316 Stainless Steel body 1800 psig 414 bar	487 to 1637 -40 to 121°C						
PN - 303	Urethane	316 Stainless Steel body 1800 psig 414 bar	487 to 1637 -40 to 74°C						
VP - Polyamide (DeluPr)	Nitril	Brass body 1800 psig 414 bar	487 to 1637 -40 to 74°C						
VK - Polyamide (DeluPr)	Kalut [®]	316 Stainless Steel body 1800 psig 414 bar	487 to 1637 -40 to 74°C						
VL - Polyamide (DeluPr)	FKM (Viton [®] A)	316 Stainless Steel body 1800 psig 414 bar	487 to 1637 -40 to 121°C						
VM - Polyamide (DeluPr)	Ethylene Propylene	316 Stainless Steel body 1800 psig 414 bar	487 to 1637 -40 to 121°C						
VN - Polyamide (DeluPr)	Urethane	316 Stainless Steel body 1800 psig 414 bar	487 to 1637 -40 to 74°C						

* Brass body is limited to $+200^{\circ}\text{F}$ (100°C) maximum.
 **FKM (Viton) maximum (DeluPr)

