

SPRING, DOME OG AIR LOADED, DIAPHRAGM SENSOR, SUB- ATMOFERISK

44-4700 Serien Backpressure regulator

44-4700
44-4700 Serien

- Max Indgangstryk: 10.3 bar
- Design Proof Pressure: 150% maximum rated
- Leakage: Internal: Bubble-tight - External: $\leq 2 \times 10^{-8}$ atm cc/sec He
- Temperaturområde: -40 til 74°C
- CV: 0.04, 0.30



PRODUKTBESKRIVELSE

TESCOM 44-4700 Serien

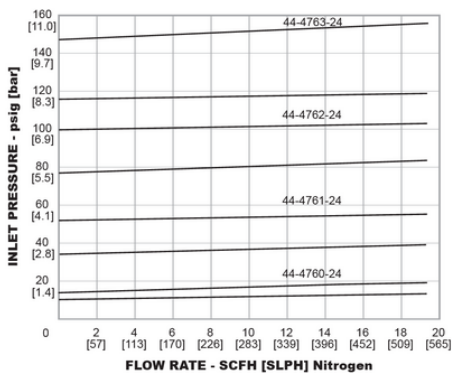
En meget høj sensitiv, high purity, backpressure regulator specielt god til, flammable og industrial gasser til lavt tryk, og sub-atmospheric tryk kontrol. Diffusionresistant metal diaphragm seal sikre gassens renhed og leak integrity.

Applikationer

- Analytical systems
- Sample systems
- Pilot plants

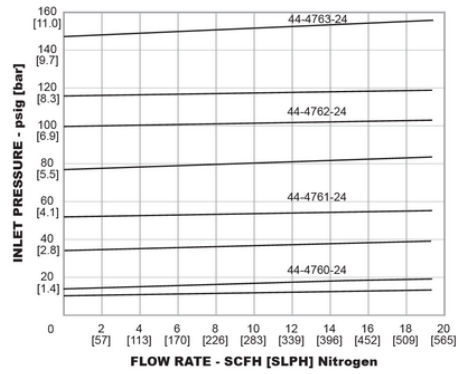
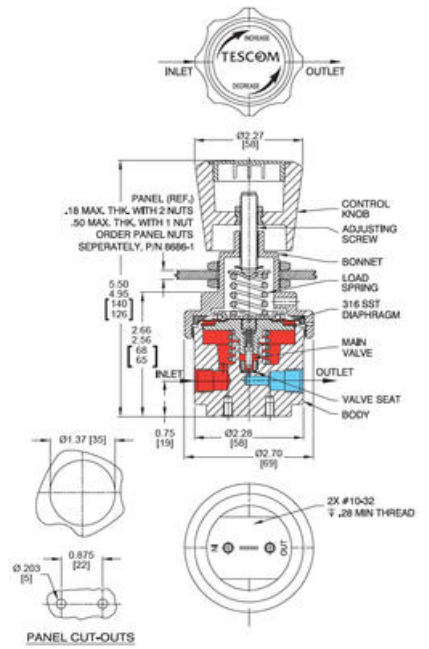
Fordele

- 316 Stainless Steel diaphragm provides metal-to-metal sealing integrity and good sensitivity
- Stor sensor seat areal ratio som giver en lav crack-to-reseat tryk differential og superæn repeatability
- Negative spring bias for vacuum systems
- Justerbar stop begrænser maximum udgangstryk
- Tilgængelig med NACE kompliant design



Example for selecting a part number:

44-47	6	0	2	4	
BASIC SERIES	BODY MATERIAL	INLET PRESSURE RANGES ¹	INLET AND OUTLET PORT TYPE	INLET AND OUTLET PORT SIZE	OPTIONS
44-47	6 - 316 Stainless Steel	0 - 50 mm Hg absolute - 75 psig / 5 bar 1 - 50 mm Hg absolute - 50 psig / 3.4 bar 2 - 50 mm Hg absolute - 100 psig / 6.9 bar 3 - 50 mm Hg absolute - 150 psig / 10.3 bar [1, 2F Hg - 50 mm Hg absolute]	1 - G1 2 - NPT 3 - M3/16-49 H - HPC	4 - 1/4" 6 - 1/8"	588 - C _v - 0.30



Example for selecting a part number:

44-47	6	0	2	4	OFFIKS
BASIC SERIES	BODY MATERIAL	INLET PRESSURE RANGES ¹	INLET AND OUTLET PORT TYPE	INLET AND OUTLET PORT SIZE	
44-47	6 - 316 Stainless Steel	0 - 50 mm Hg absolute 0 psig / 1 bar 1 - 50 mm Hg absolute 50 psig / 3.4 bar 2 - 50 mm Hg absolute 100 psig / 6.9 bar 3 - 50 mm Hg absolute 150 psig / 10.3 bar [1.2F Hg - 50 mm Hg absolute]	1 - 5/8" 2 - NPT 3 - MS1649 M - 1/8"	4 - 1/2" 6 - 3/8"	581 - C ₂ - 0.30

