

## ER5K SERIEN

### ER5K

- Max Indgangstryk: 241 bar
- Max udgangstryk: 690 bar
- Strøm krav: 90-264 VAC
- Setpoints: 4-20 mA, 1-5 VDC - RS485, USB
- Protokoller: USB, RS485



ER5K Series  
Enclosure Assembly



ER5K Series  
Plate Assembly

## PRODUKTBESKRIVELSE

### Tescom ER5K Serien

Er et komplet tryk kontrol system som er hurtig og nem at sætte op. Alle komponenter er allerede samlet, professionelt plumberet, og testet. Nem at sætte op og konfigurere.

#### Spar penge og tid på opsætning.

Kit (assembled on plate or in enclosure) indeholder:

- ER5000FI-1
- Tryk reducerings regulator: Flow booster, DK dome loaded, DK air loaded, 26-2000 air loaded

Eller

#### Back pressure regulator

- 54-2100 air loaded eller 26-1700 air loaded
- 4-20 mA Feedback Transducer; 0.125% nøjagtighed
- ER supply regulator med relief valve
- Alle connections og fittings
- Electrical Junction Box

Dokumentations pakker som indeholder:

- ER5000 User Kit:
- ER5000 Getting Started Manual
- ER5000 User Support Software & Manual CD
- ER5K Kit Manual:
- Operating Manual
- Regulator drawing and wiring diagram

#### Applikationer

- Component testing and development
- Pressure sensor calibration and testing
- Superplastic and metal forming
- Coating applications
- Flow meter calibration
- Catheter / rupture disk testing
- Pump discharge control
- Burst and proof testing
- Reactor vessel pressure control

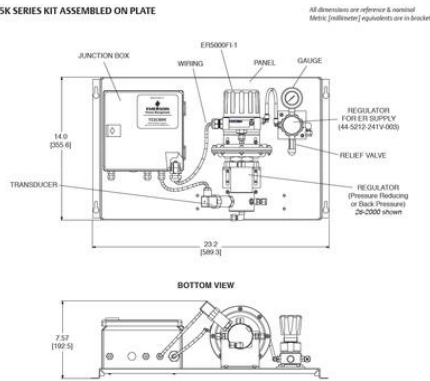
#### Fordele

- Komplet automatiseret tryk kontrol system, pre-samlet og testet, leveres klar til brug
- Closed loop kontrol som giver en stor nøjagtighed

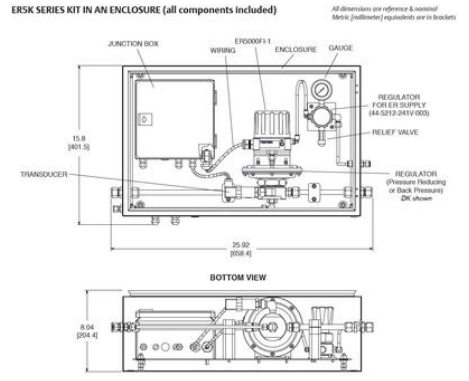
- TESCOM ERTune™ program inklusiv for setup, tuning, og data logging
- Set-up Wizard loads PID parameters for hurtig start-up
- Captured venting med 26-2000 og DK Serien - ideal til væske applikationer
- Venting regulator med gauge og relief ventiler til ER supply

BASIC SERIES	ASSEMBLY	REGULATOR SERIES	BODY	MAXIMUM CONTROL PRESSURE BY TRANSDUCER			PORTING/TUBING SIZE		O-RING MATERIAL	PORTING/TUBING
				bar	psig	SEAT	C <sub>v</sub>	METRIC		
E - Parts assembled on plate	A - Flow booster	Pressure reducing	Zinc	6	100	Nitrile, Buna-N	1.5	1/2 mm	1/2"	D - Nitrile, Buna-N (NBR) only option with flow booster
	B - Flow booster	Pressure reducing	Zinc	6	100	Nitrile, Buna-N	2.2	1/2 mm	1/2"	
F - Parts assembled in an enclosure	C - DK (Diaphragm loaded)	Pressure reducing	SS1	6	100	PCFTE	0.35	1/2 mm	1/2"	D - Nitrile, Buna-N (NBR)
	D - DK (Air loaded)	Pressure reducing	SS1	40	600	PCFTE	0.35	1/2 mm	1/2"	F - POM (Other* A)
	F - 26-2000	Pressure reducing	SS1	100	1500	PTFE	0.06	6 mm	1/4"	U - Urethane (PUR)
	G - 26-2000	Pressure reducing	SS1	160	3000	PTFE	0.06	6 mm	1/4"	Z - EP (POM)
	H - 26-2000	Pressure reducing	SS1	400	6000	PTFE	0.06	6 mm	1/4"	
	I - 26-2000	Pressure reducing	SS1	600	10,000	PTFE	0.06	6 mm	1/4"	
	K - SA-2100	Back pressure	SS1	100	1500	17-4 SS1	0.08	6 mm	1/4"	
	L - SA-2100	Back pressure	SS1	160	3000	17-4 SS1	0.08	6 mm	1/4"	
	M - SA-2100	Back pressure	SS1	400	6000	17-4 SS1	0.08	6 mm	1/4"	
	N - SA-2100	Back pressure	SS1	600	10,000	17-4 SS1	0.08	6 mm	1/4"	
	P - 26-1700	Back pressure	SS1	100	1500	PTFE	0.14	6 mm	1/4"	
	R - 26-1700	Back pressure	SS1	160	3000	PCFTE	0.10	6 mm	1/4"	
	S - 26-1700	Back pressure	SS1	400	6000	PCFTE	0.10	6 mm	1/4"	
	T - 26-1700	Back pressure	SS1	600	10,000	PCFTE	0.10	6 mm	1/4"	

#### ERSK SERIES KIT ASSEMBLED ON PLATE



#### ERSK SERIES KIT IN AN ENCLOSURE (all components included)

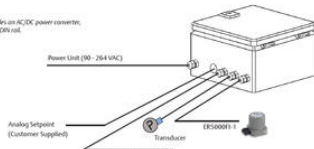


#### JUNCTION BOX

The junction box is internally wired and includes an AC/DC power converter, fuses and wire terminal blocks mounted on a DIN rail.

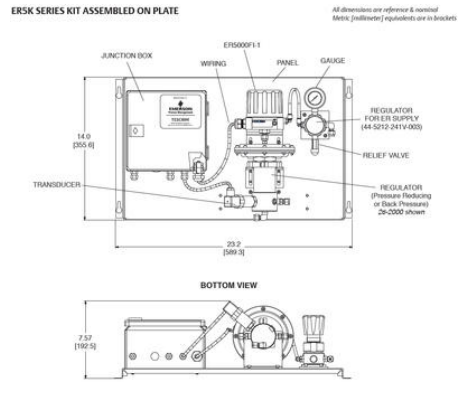
Footprint: 2.9" x 7.9" (200 x 200 mm)

Height: 4.7" (120 mm)



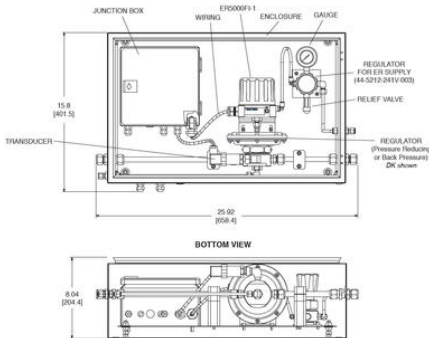
BASIC SERIES	ASSEMBLY	REGULATOR SERIES	BODY	MAXIMUM CONTROL PRESSURE BY TRANSDUCER			PORTING/TUBING SIZE		O-RING MATERIAL	PORTING/TUBING
				bar	psig	SEAT	C <sub>v</sub>	METRIC		
E - Parts assembled on plate	A - Flow booster	Pressure reducing	Zinc	6	100	Nitrile, Buna-N	1.5	1/2 mm	1/2"	D - Nitrile, Buna-N (NBR) only option with flow booster
	B - Flow booster	Pressure reducing	Zinc	6	100	Nitrile, Buna-N	2.2	1/2 mm	1/2"	
F - Parts assembled in an enclosure	C - DK (Diaphragm loaded)	Pressure reducing	SS1	6	100	PCFTE	0.35	1/2 mm	1/2"	D - Nitrile, Buna-N (NBR)
	D - DK (Air loaded)	Pressure reducing	SS1	40	600	PCFTE	0.35	1/2 mm	1/2"	F - POM (Other* A)
	F - 26-2000	Pressure reducing	SS1	100	1500	PTFE	0.06	6 mm	1/4"	U - Urethane (PUR)
	G - 26-2000	Pressure reducing	SS1	160	3000	PTFE	0.06	6 mm	1/4"	Z - EP (POM)
	H - 26-2000	Pressure reducing	SS1	400	6000	PTFE	0.06	6 mm	1/4"	
	I - 26-2000	Pressure reducing	SS1	600	10,000	PTFE	0.06	6 mm	1/4"	
	K - SA-2100	Back pressure	SS1	100	1500	17-4 SS1	0.08	6 mm	1/4"	
	L - SA-2100	Back pressure	SS1	160	3000	17-4 SS1	0.08	6 mm	1/4"	
	M - SA-2100	Back pressure	SS1	400	6000	17-4 SS1	0.08	6 mm	1/4"	
	N - SA-2100	Back pressure	SS1	600	10,000	17-4 SS1	0.08	6 mm	1/4"	
	P - 26-1700	Back pressure	SS1	100	1500	PTFE	0.14	6 mm	1/4"	
	R - 26-1700	Back pressure	SS1	160	3000	PCFTE	0.10	6 mm	1/4"	
	S - 26-1700	Back pressure	SS1	400	6000	PCFTE	0.10	6 mm	1/4"	
	T - 26-1700	Back pressure	SS1	600	10,000	PCFTE	0.10	6 mm	1/4"	

#### ERSK SERIES KIT ASSEMBLED ON PLATE



#### ERSK SERIES KIT IN AN ENCLOSURE (all components included)

All dimensions are reference & nominal Metric (dimensional) equivalents are in brackets



#### JUNCTION BOX

The junction box is internally wired and includes an AC/DC power converter, fuses and wire terminal blocks mounted on a DIN rail.

Footprint: 2.9" x 7.9" (200 x 200 mm)

Height: 4.7" (120 mm)

