

BUBBLE-TIGHT, HIGH PURITY, LOW FLOW, SPRING OG DOME LOADED, DIAPHRAM SENSOR

PH-2600 Serien Trykreducerende regulator

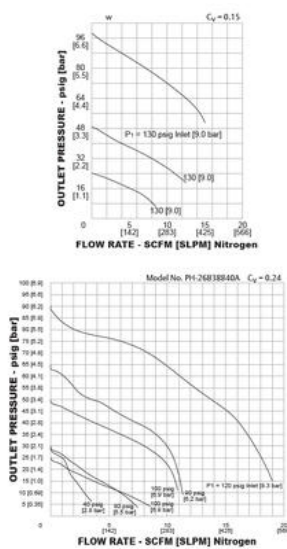
PHE26A08600A
PHE26A08600A

- CV: 0.02, 0.06, 0.15 og 0.24
- Temperatur: -40°C til 74°C
- Sanitary, Tube og High Purity Connections
- Low Flows
- FDA Compliant



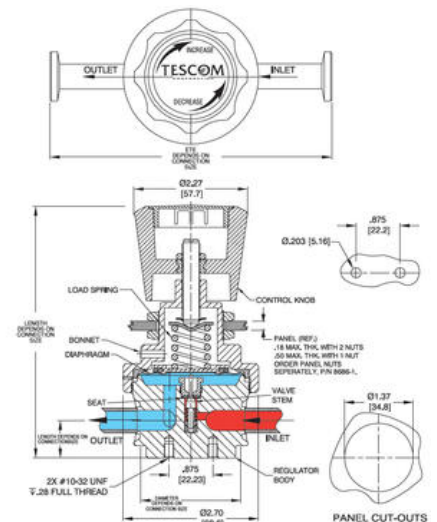
PRODUKTBESKRIVELSE

Alle regulatorer i denne serie er specielt udviklet til pharma- og biotekindustrien. De er alle i rustfri stål og kan leveres med al nødvendig dokumentation. Det er single-stage regulatorer, der yder en meget nøjagtig regulering. Designet af denne serie sikrer en høj gasrenhed og integritet og kan med fordel anvendes ved ren damp i sanitære applikationer, i paneler eller til regulering af specialgasser og hvor dannes affaldsgasser.

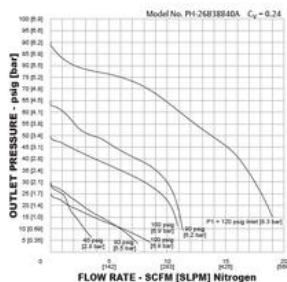
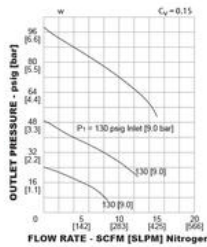


Example for selecting a part number:

PH-26	A	1	8	8	2	0	0				
BASIC SERIES	BODY MATERIAL	BODY FINISH	SEAT MATERIAL	VALVE SPRING	LOAD TYPE	OUTLET PRESSURE	INLET AND OUTLET PORT TYPES	INLET AND OUTLET PORT SIZE	FLOW CAPACITY	GAUGE PORT OPTIONS	CERTIFICATE OF CONFORMANCE
PH-26	A - 316L Stainless Steel	15.1	F3E1	316 Stainless Steel	8 - Spring	0.10 psig	8 - Sanitary Tube	6 - 3/16" (Tube Out)	8 - Cv = 0.02 1 - Cv = 0.06 2 - Cv = 0.15	0 - No gauge ports 1 - 1/2" NPT, surface prep-spec at 90° 2 - One 1/4" NPT, surface prep-spec at 90°	A - None B - Class Service Certification
	B - 316L Stainless Steel	15.1	F3E1	Cobalt Chrome Nickel Alloy (Elaploy)	1 - Spring	0.25 psig	1 - Spring	9 - Tube	8 - Cv = 0.02 1 - Cv = 0.06 2 - Cv = 0.15	0 - No gauge ports 1 - 1/2" NPT, surface prep-spec at 90° 2 - One 1/4" NPT, surface prep-spec at 90°	A - None B - Class Service Certification
	C - 316L Stainless Steel	32.1	F3E1	316 Stainless Steel	4 - Spring	0.50 psig	4 - Spring	4 - 1/2" x 0.007" wall	8 - Cv = 0.02 1 - Cv = 0.06 2 - Cv = 0.15	0 - No gauge ports 1 - 1/2" NPT, surface prep-spec at 90° 2 - One 1/4" NPT, surface prep-spec at 90°	A - None B - Class Service Certification
	D - 316L Stainless Steel	32.1	F3E1	Cobalt Chrome Nickel Alloy (Elaploy)	5 - Spring	0.100 psig	5 - Spring	4 - 1/2" x 0.007" wall	8 - Cv = 0.02 1 - Cv = 0.06 2 - Cv = 0.15	0 - No gauge ports 1 - 1/2" NPT, surface prep-spec at 90° 2 - One 1/4" NPT, surface prep-spec at 90°	A - None B - Class Service Certification
					6 - Dome	0.100 psig	6 - Dome	4 - 1/2" x 0.007" wall	8 - Cv = 0.02 1 - Cv = 0.06 2 - Cv = 0.15	0 - No gauge ports 1 - 1/2" NPT, surface prep-spec at 90° 2 - One 1/4" NPT, surface prep-spec at 90°	A - None B - Class Service Certification

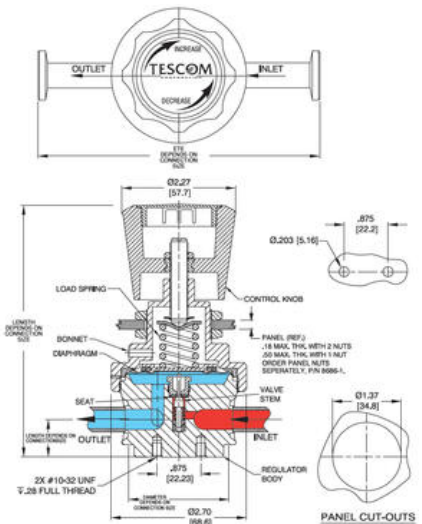


All dimensions are reference & nominal. Metric (millimeter) equivalents are in brackets.



Example for selecting a part number:

PH-26	A	1	8	8	2	0	B			
BASIC SERIES	BODY MATERIAL	SEAT MATERIAL	VALVE SPRING	LOAD TYPE	OUTLET PRESSURE	INLET AND OUTLET PORT TYPE	INLET AND OUTLET PORT SIZE	FLOW CAPACITY	GAUGE PORT OPTIONS	CERTIFICATE OF CONFORMANCE
PH-26	A - 316L Stainless Steel	15 T ₂ PTFE	316 Stainless Steel	8 - Spring	0.10 psig	8 - Sankley	6 - 3/8" (Tube Out)	B - C _v = 0.82 1 - C _v = 0.88 2 - C _v = 0.15 4 - C _v = 0.24	B - No gauge A - None B - Class Service Certification	A - None B - Class Service Certification
				1 - Spring	0.25 psig		8 - 27° OD ±0.025" rad		2 - One 1/4" NPT, surface gage ports at 90°	
				2 - Spring	0.50 psig		8 - 12° ±0.007" rad			
				4 - Spring W/ Pressure	0.10 psig					
				5 - Spring W/ Pressure	0.10 psig					
				6 - Dome	0.10 psig					



All dimensions are reference & nominal.
Metric (square) equivalents are in brackets.