

PISA-M

PISA-M-4ADJ
ECB 4x1-8A Adjustable current

- 4-kanaler (4x1-8A)
- Kun 22,5 mm bred
- Fælles eller individuel alarm



PRODUKTBESKRIVELSE

PISA-M er meget alsidig og kan bruges med strømforsyninger fra 90-480 W (24 V DC).

- 4 kanaler
- Kun 22,5 mm bred
- Hver kanal kan justeres til: 1/2/3/4/6/8 A (maks. 20 A i alt)
- Du kan vælge hurtige eller langsomme egenskaber (f.eks. langsomme til udstyr, der kræver startstrøm)
- Push-in-tilslutning
- Lokal eller fjernreset

Kanalerne kan tændes og slukkes ved hjælp af de 4 knapper på forsiden. Kanalen er tændt, hvis den lyser grønt, og slukket, hvis den lyser rødt med et konstant lys.

De 4 kanaler starter med ca. 100 ms mellemrum.

Fabriksindstillingerne er, at alle kanaler er tilsluttet med indstillingen 1A og hurtige egenskaber.

Hvis en kanal udløses, blinker den tilhørende LED rødt én gang for overbelastning eller kortslutning og rødt to gange for (a) den samlede overbelastningsbeskyttelse på 20 A i sekunder er aktiveret eller (b) strømforsyningsbeskyttelsestilstanden er aktiveret. Læs mere i brugervejledningen, afsnit 9. For at nulstille kursen skal du holde den pågældende kurs-knap nede i 1 sekund.

For at kontrollere, hvad de forskellige kanaler er indstillet til i ampere-niveau:

Tryk kortvarigt (50 ms) på knapperne 1 og 4 samtidigt.

LED 1 blinker derefter hurtigt grønt for det indstillede antal ampere (én gang for 1 A, to gange for 2 A osv.).

SPECIFIKATIONER

Back-feeding loads	30 V DC
Bredde	23 mm
Cable Area Multi-Conductor Max	2,5 mm ²
Dybde	98 mm
Godkendelser	CE, UL 61010-1
Højde	104 mm
Indgangsspænding DC max	30 V DC
Indgangsspænding DC min	9,6 V DC

Input connector	Push-In
IP-klasse	IP20
Levetid	268 000 h 4x5 A 40 C
Materiale kapsling	Plast
MTBF (IEC 61709)	1 142 000 h 4x5 A 40 C
Output connectors	Push-In
Output Current per channel	Channel 1-4 :1, 2, 3, 4, 6, 8 A
Spændingsfald over halvlederen	130 mV
Type klemme	Push In
Udgangsstrøm max	20 A
Vægt	0,1 kg
Virkningsgrad	98 %

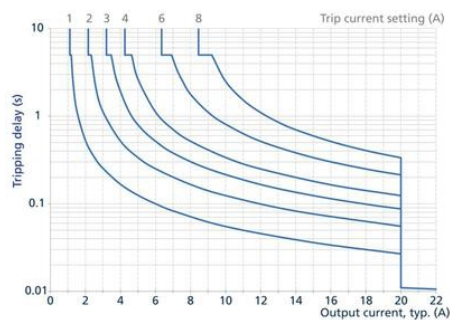


Fig. 6-2: Tripping delay depending on current
slow tripping characteristic

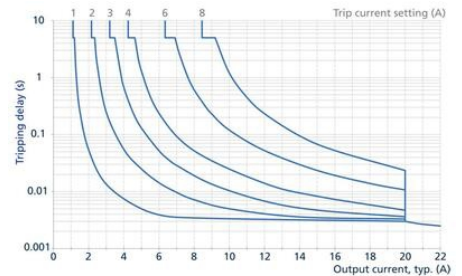
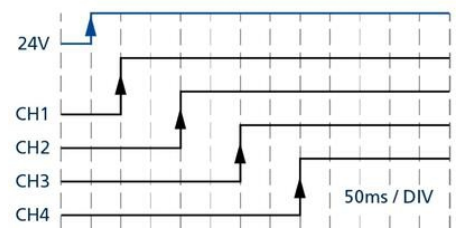
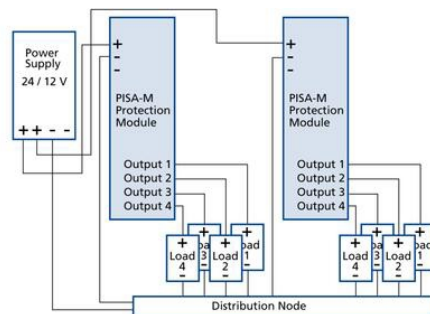
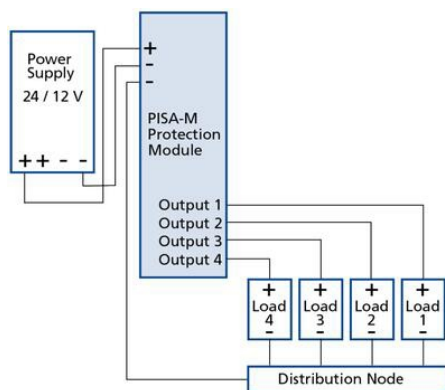


Fig. 6-1: Tripping delay depending on current
fast tripping characteristic



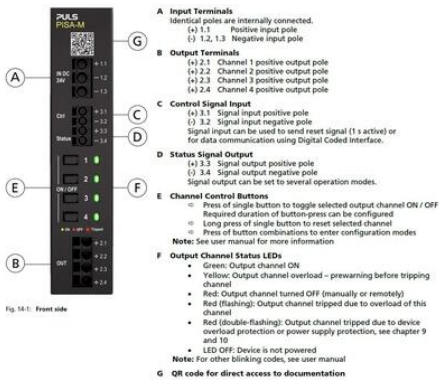


Fig. 16-1: Front side

5. Turn Output Channels ON or OFF

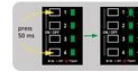
Each output channel can be switched ON and OFF individually. The required duration of button press can be configured, see chapter 10 "Button Reaction Style".

- Output channel is ON → LED lights up green
 - Output channel is OFF → LED lights up red
- press any button
- Press the Channel Control Button (CCB) for the output channel to be modified depending on the selected button reaction style:
 - 50 ms in standard mode or
 - 1 s in long press mode
 - The output channel will switch between ON and OFF.

6. Check Current Tripping Setpoint of Each Output Channel

Each LED indicates the current tripping setpoint for each output channel. For example: LED 1 shows setting of output channel 1.

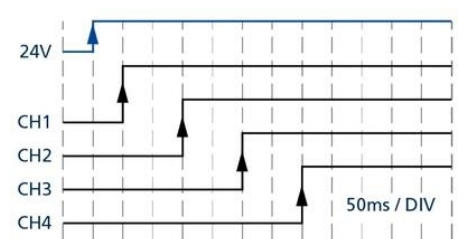
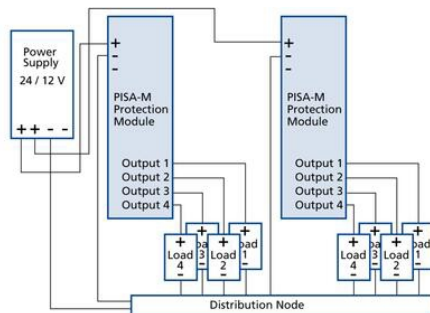
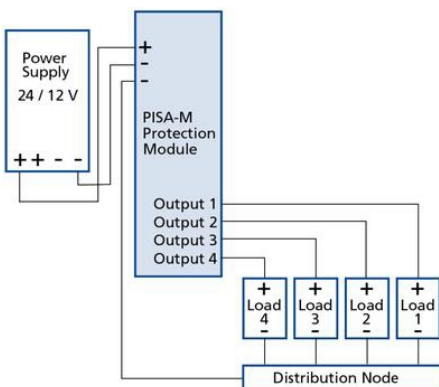
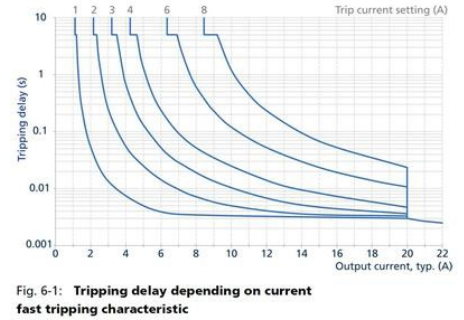
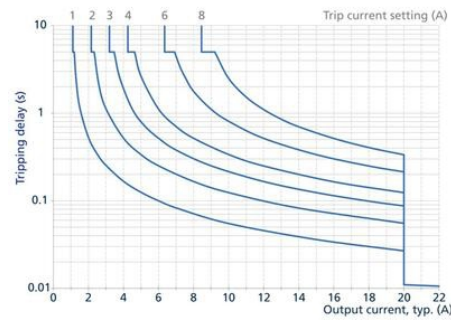
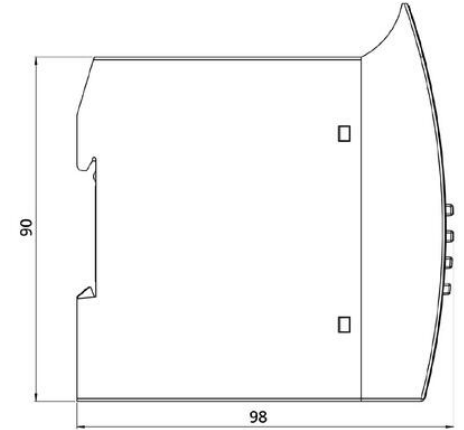
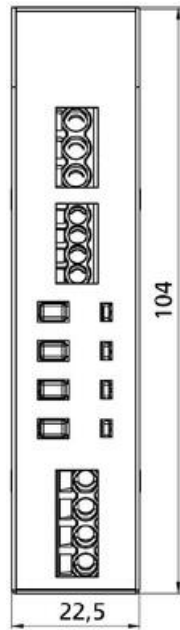
- The number of flashes indicates current setting in amperes. For example: LED 1 flashes 4 x, set current tripping setpoint for output channel 1 is 4 A.
- The sequence will be shown two times.
- The device exits the checking mode and will return to regular operation.
 - Press CCB1 and CCB4 simultaneously for 50 ms.
 - Each LED will indicate the current tripping setpoint for each output channel by flashing green.
 - Pressing any button during LED flashing stops the checking mode immediately.



12. Select Communication Mode

The device will exit setting mode automatically after 4 s inactivity. The device is equipped with two signal ports: Signal status output (pin 3.1 – 3.2) and signal control input (pin 3.3 – 3.4). These ports can be configured as follows:

- Tripping Alarm:**
Switch closes when at least one or more output channels are tripped.
- Status Signal Output ON → one or more output channels are tripped
 - Status Signal Output OFF → no output channel tripped
- Digital Coded Interface (DCI):**
For more detailed information regarding DCI mode, please refer to the product datasheet.
- Output Channel Off Alarm:**
Switch closes when one or more channels are tripped or manually turned off.
- Status Signal Output ON → one or more output channels are tripped / turned off
 - Status Signal Output OFF → all output channels are turned on
- OK Signal:**
Switch closes if all output channels are turned on.
- Status Signal Output ON → all output channels are turned on
 - Status Signal Output OFF → one or more output channels are tripped / turned off



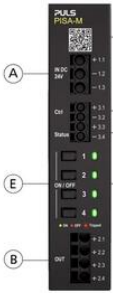


Fig. 18-1: Front side

- A Input Terminals**
Identical poles are internally connected.
(+) 1.1 Positive input pole
(-) 1.2, 1.3 Negative input pole
- B Output Terminals**
(+) 2.1 Channel 1 positive output pole
(-) 2.2 Channel 2 positive output pole
(+) 2.3 Channel 3 positive output pole
(-) 2.4 Channel 4 positive output pole
- C Control Signal Input**
(+) 3.1 Signal input positive pole
(-) 3.2 Signal input negative pole
Signal input can be used to send reset signal (1 s active) or for data communication using Digital Coded Interface.
- D Status Signal Output**
(+) 3.3 Signal output positive pole
(-) 3.4 Signal output negative pole
Signal output can be set to several operation modes.
- E Channel Control Buttons**
Press of single button to toggle selected output channel ON / OFF
Required duration of button press can be configured
 - Long press of single button to reset selected channel
 - Press of button combinations to enter configuration modes**Note:** See user manual for more information.
- F Output Channel Status LEDs**
 - Green: Output channel ON
 - Yellow: Output channel overload – prewarning before tripping channel
 - Red: Output channel turned OFF (manually or remotely)
 - Red (flashing): Output channel tripped due to overload of this channel
 - Red (double-flashing): Output channel tripped due to device overload protection or power supply protection, see chapter 9 and 10
 - LED OFF: Device is not powered**Note:** For other blinking codes, see user manual
- G QR code for direct access to documentation**

5. Turn Output Channels ON or OFF

Each output channel can be switched ON and OFF individually.
The required duration of button press can be configured, see chapter 10 "Button Reaction Style".

- Output channel is ON → LED lights up green
 - Output channel is OFF → LED lights up red
-
- Press the Channel Control Button (CCB) for the output channel to be modified depending on the selected button reaction style:
 - 50 ms in standard mode or
 - 1 s in long press mode
 - The output channel will switch between ON and OFF.

6. Check Current Tripping Setpoint of Each Output Channel

Each LED indicates the current tripping setpoint for each output channel.
For example: LED 1 shows setting of output channel 1.

- The number of flashes indicates current setting in ampere.
For example: LED 1 flashes 4 x, set current tripping setpoint for output channel 1 is 4 A.
 - The sequence will be shown two times.
 - The device exits the checking mode and will return to regular operation.
- Press CCB1 and CCB4 simultaneously for 50 ms.
 - Each LED will indicate the current tripping setpoint for each output channel by flashing green.
 - Pressing any button during LED flashing stops the checking mode immediately.
-

12. Select Communication Mode

- The device will exit setting mode automatically after 4 s inactivity.
- The device is equipped with two signal ports. Signal status output (pin 3.1 – 3.2) and signal control input (pin 3.3 – 3.4). These ports can be configured as follows:
- Tripping Alarm:**
Switch closes when at least one or more output channels are tripped.
- Status Signal Output ON → one or more output channels are tripped
 - Status Signal Output OFF → no output channel tripped
- Digital Coded Interface (DCI):**
For more detailed information regarding DCI mode, please refer to the product datasheet.
- Output Channel Off Alarm:**
Switch closes when one or more channels are tripped or manually turned off.
- Status Signal Output ON → one or more output channels are tripped if turned off
 - Status Signal Output OFF → all output channels are turned on
- OK-Signal:**
Switch closes if all output channels are turned on.
- Status Signal Output ON → all output channels are turned on
 - Status Signal Output OFF → one or more output channels are tripped / turned off

