

AUER SIGNALHORN SERIE HPT/HTG

712100005

HPT Signalhorn 108dB 24V DC



- Membransirene
- IP55/IP65
- 108dB



PRODUKTBESKRIVELSE

Kraftig sirene til indendørs og udendørs brug. Anvendes f.eks. i industrien og havne. Fås også i udførelser til telefonsignaler efter anmodning (HPTR).

SPECIFIKATIONER

Farve hus	Grå RAL 7035
IP-klasse	IP55
Lydniveau max	108 dB
Forsyningsspænding DC max	26,4 V DC
Forsyningsspænding DC min	21,6 V DC
Montering	Vertikal
Nominel strøm max	0,6 A
Temperaturområde fra	-20 °C
Temperaturområde til	50 °C
Vægt	800 g

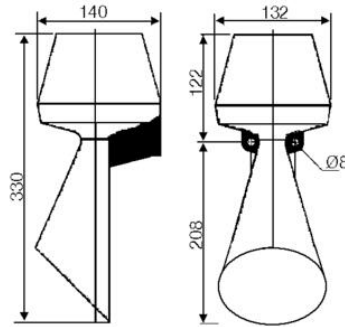
Antal toner	1 pc
Lydniveau min	108 dB
Forsyningsspænding	24 V DC
Koblingsklemme	2,5 mm ²

Kabel indgang	7-10mm
Nominel strøm min.	0,6 A

The sound pressure decreases by 6 dB when doubling the distance. The following distance table is to be seen as indication, as also factors like tone type, wind speed, wind direction, humidity, weather conditions etc. do influence the sound pressure level.

Distance (m)	Sound pressure dB (A)																					
1	65	70	75	80	85	90	92	94	96	98	100	102	104	106	108	110	112	114	116	118	120	
2	59	64	69	74	79	84	86	88	90	92	94	96	98	100	102	104	106	108	110	112	114	
3	55	60	65	70	75	80	82	84	86	88	90	92	94	96	98	100	102	104	106	108	110	
5	51	56	61	66	71	76	78	80	82	84	86	88	90	92	94	96	98	100	102	104	106	108
10	45	50	55	60	65	70	72	74	76	78	80	82	84	86	88	90	92	94	96	98	100	
20	39	44	49	54	59	64	66	68	70	72	74	76	78	80	82	84	86	88	90	92	94	
30	35	40	45	50	55	60	62	64	66	68	70	72	74	76	78	80	82	84	86	88	90	
50	30	35	40	45	50	55	57	59	60	62	64	66	68	70	72	74	76	78	80	82	84	
100																						
200																						
500																						

The sound pressure decreases by 6 dB when doubling the distance.



The sound pressure decreases by 6 dB when doubling the distance. The following distance table is to be seen as indication, as also factors like tone type, wind speed, wind direction, humidity, weather conditions etc. do influence the sound pressure level.

Distance (m)	Sound pressure dB (A)																					
1	65	70	75	80	85	90	92	94	96	98	100	102	104	106	108	110	112	114	116	118	120	
2	59	64	69	74	79	84	86	88	90	92	94	96	98	100	102	104	106	108	110	112	114	
3	55	60	65	70	75	80	82	84	86	88	90	92	94	96	98	100	102	104	106	108	110	
5	51	56	61	66	71	76	78	80	82	84	86	88	90	92	94	96	98	100	102	104	106	108
10	45	50	55	60	65	70	72	74	76	78	80	82	84	86	88	90	92	94	96	98	100	
20	39	44	49	54	59	64	66	68	70	72	74	76	78	80	82	84	86	88	90	92	94	
30	35	40	45	50	55	60	62	64	66	68	70	72	74	76	78	80	82	84	86	88	90	
50	30	35	40	45	50	55	57	59	60	62	64	66	68	70	72	74	76	78	80	82	84	
100																						
200																						
500																						

The sound pressure decreases by 6 dB when doubling the distance.

