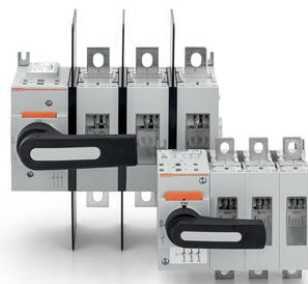


LASTADSKILLERE 160 TIL 315 A LOVATO GL

GL0160C1
Lastomskifter 3P 160A



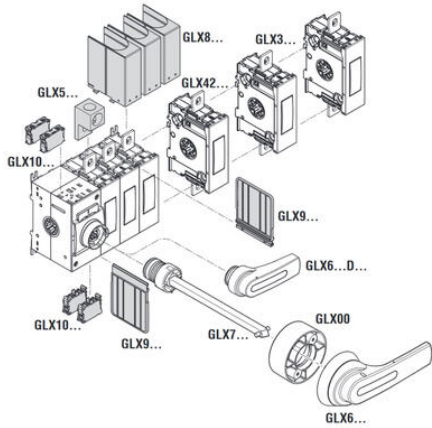
- 160 til 315 A ved AC21
- Kompakt størrelse
- 200 A model iht. UL98
- Montage med skruer eller for DIN-skinne (35 mm)

PRODUKTBESKRIVELSE

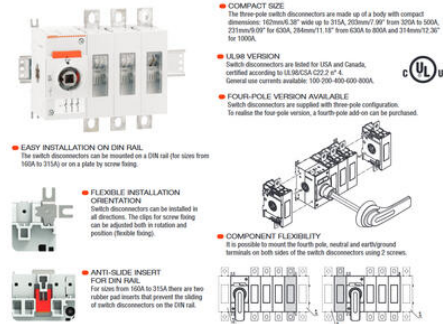
SPECIFIKATIONER

Antal poler	3
Breaking capacity AC23A 400 V	1280 A
Bredde	162,3 mm
Conditional short-circuit current rms	100 kA
Godkendelser	EN60947-3, IEC 60947-3 , IEC 60947-1
Højde	154,9 mm
IEC rated operational current le AC21A 400 V	160 A
IEC rated operational current le AC21A 500 V	160 A
IEC rated operational current le AC21A 690 V	160 A
IEC rated operational current le AC22A 400 V	160 A
IEC rated operational current le AC22A 500 V	160 A
IEC rated operational current le AC22A 690 V	160 A
IEC rated operational current le AC23A 400 V	160 A
IEC rated operational current le AC23A 500 V	160 A
IEC rated operational current le AC23A 690 V	144 kW
IEC rated operational current le AC23A/690 V	160 A
Isolationsspænding (Ui)	1000 V
Making capacity AC23A 400 V	1600 A
Montage	DIN-skinne 35 mm, Skrue montering
Nominel impulsspænding Uimp	12 kV
Rated short-time current (1s) Icw rms	8 kA

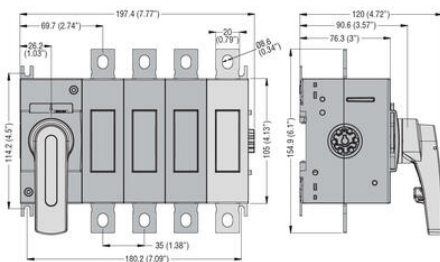
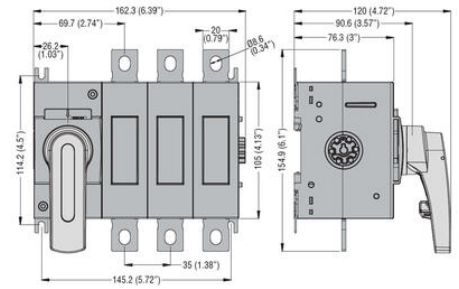
Temperaturområde drift fra	-25 °C
Temperaturområde drift til	55 °C
Termisk strøm Ith	160 A
Tilspændingsmoment maks	22
Tilspændingsmoment min	15
Tværsnit	70-185 mm ²
Vægt	1,74 kg



SWITCH DISCONNECTORS



GL0160C1...GL0315C1



SWITCH DISCONNECTORS

