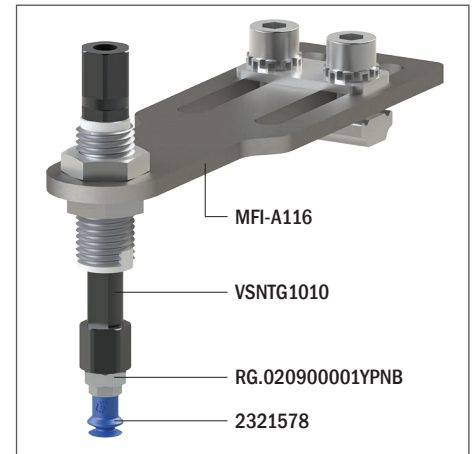


## VG.B6 EPDM-HNBR bellows suction cups

- Suitable for handling plastic parts
- Suitable for objects with flat or slightly curved surfaces
- They enable to compensate for differences in height
- The HNBR version enables to work at high temperatures, whereas silicone or other mixtures may release traces of material. Ideal for applications where contamination of the material must be avoided
- The HNBR compound is robust and wear resistant, suitable for the removal of hot plastic parts from the relevant moulds



Application example



### Technical data

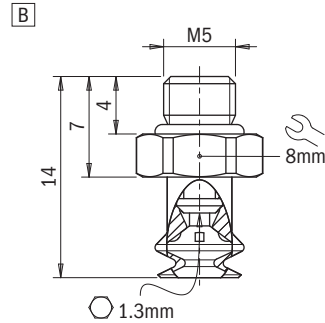
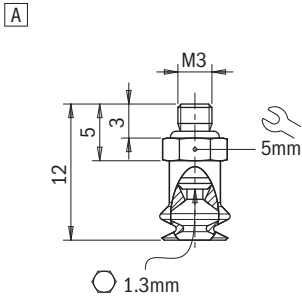
Material	Lifting force [N] perpendicular to the surface, at various vacuum levels			Lifting force [N] parallel to the surface, at various vacuum levels			Volume [cm <sup>3</sup> ]	Min curve radius [mm]	Max vertical movement [mm]	Suction cup weight [g]
	-20 kPa	-60 kPa	-90 kPa	-20 kPa	-60 kPa	-90 kPa				
EPDM 50	0.25	0.78	1.1	–	–	–	0.05	1.5	1.5	0.1
HNBR 60	0.25	0.78	1.1	–	–	–	0.05	1.5	1.5	0.1

### Technical features

Material	Colour	Hardness	Temperature range
EPDM	Black	50 Shore	-40 ÷ +100 °C
HNBR	Blue	60 Shore	-25 ÷ +150 °C

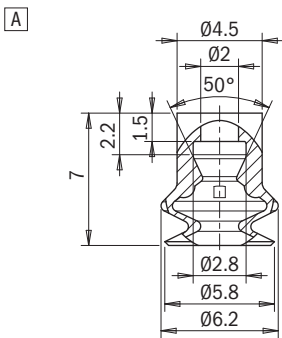
### Identification codes

Drawing	Alphanumeric code	Suction cups with fitting	Order code
A	VG.B6E.50.M3M.E5	VG.B6 suction cup, EPDM, 50 Shore, M3 male, 5 mm hex	2321576
A	VG.B6H.60.M3M.E5	VG.B6 suction cup, HNBR, 60 Shore, M3 male, 5 mm hex	2321578
B	VG.B6E.50.M5M.E8	VG.B6 suction cup, EPDM, 50 Shore, M5 male, 8 mm hex	2321076
B	VG.B6H.60.M5M.E8	VG.B6 suction cup, HNBR, 60 Shore, M5 male, 8 mm hex	2321078



### Identification codes

Drawing	Alphanumeric code	Suction cups	Order code
A	VG.B6E.50	VG.B6 suction cup, EPDM, 50 Shore	2321577
A	VG.B6H.60	VG.B6 suction cup, HNBR, 60 Shore	2321579



### Identification codes

Drawing	Alphanumeric code	Fittings	Order code
A	FT.M3M.E5	M3 male fitting, hex, 5 mm	2321402
B	FT.M5M.E8.06	M5 male fitting, hex, 8 mm	2321005

