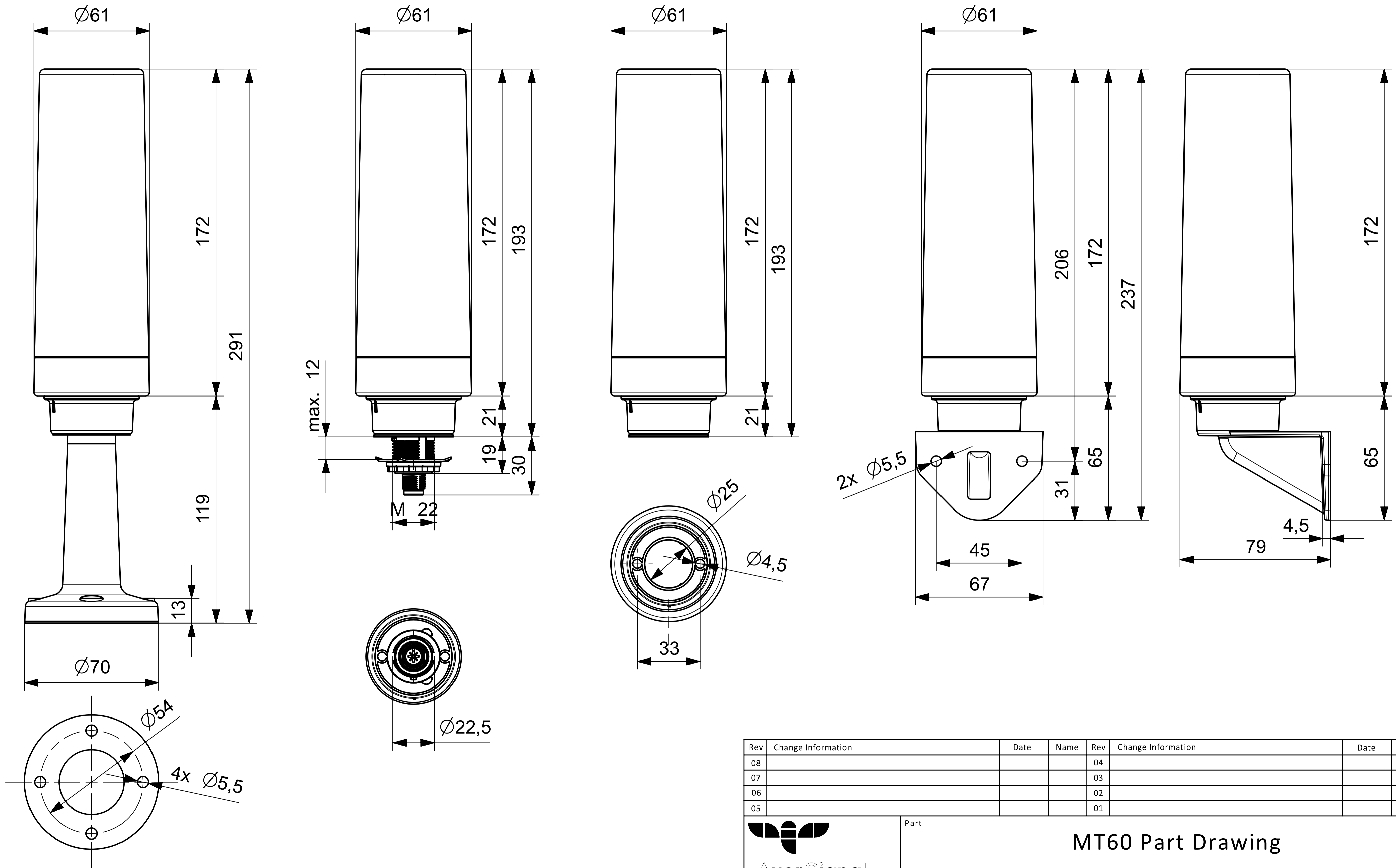

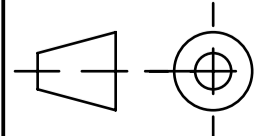


This drawing is the property of Auer Signal GmbH or its subsidiaries and may not be copied, used or disclosed for any purpose except as authorized in writing by Auer Signal GmbH.



Rev	Change Information	Date	Name	Rev	Change Information	Date	Name
08				04			
07				03			
06				02			
05				01			

 Auer Signal Auer Signal GmbH Perfektostrasse 102, 1230 Vienna T +43 1 813 82 20 F +43 1 815 99 51 www.auer-signal.com		Part				MT60 Part Drawing							
		Material			Item		General tolerance						
Polycarbonat													
		Date		Name		Format		Scale		Sheet		Drawingnumber	
		27-11-2023		C. Zwicker		A3		1: 2		1 of 1		2003-61-04/01	
Inspector		-		W. Dietrich									